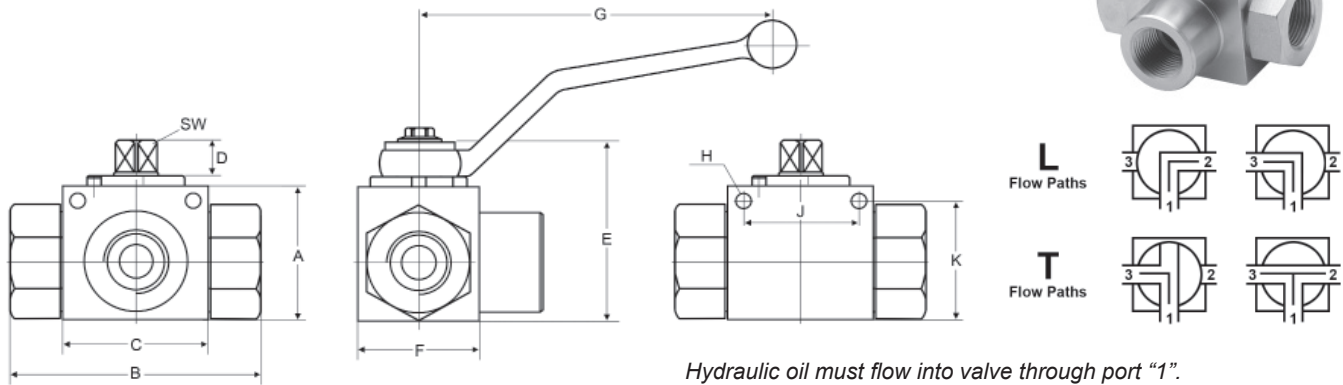


## DE3L/DB3L High Pressure Series 3-way Ball Valves

### Features

- Rugged Carbon Steel Construction
- Mounting Holes on DE models
- 1/4" - 2" Sizes - NPT and SAE
- Full and Reduced Port
- Blow-Out Proof Stems
- Chrome-plated Steel Ball
- Standard Seals: Buna-N; other seals by special order
- Max Pressure: Up to 5880 psi
- Max Temperature: 215°F



Hydraulic oil must flow into valve through port "1".  
The valve can only be sealed under one of two conditions:  
1) Pressure at the closed port is zero;  
2) Pressure at the closed port is lower than at the two open ports.

### Model #'s & Dimensional Information

Model #	Thread	psi	Port	A	B	C	D	E	F	G	H	J	K	SW	Weight
DE3L-14-NPT	1/4" NPT	5880	.24	1.27	2.72	1.46	.38	1.78	1.11	4.51	.18	1.02	1.07	.32	1.0 lb
DE3L-38-NPT	3/8" NPT	5880	.39	1.58	2.84	1.65	.38	2.08	1.26	4.51	.26	1.23	1.38	.32	1.5 lbs
DE3L-12-NPT	1/2" NPT	5145	.51	1.58	2.28	1.90	.38	2.08	1.37	4.51	.26	1.46	1.38	.32	2.0 lbs
DE3L-34-NPT	3/4" NPT	5145	.79	2.27	3.74	2.36	.55	2.97	1.89	6.38	.26	1.77	2.01	.39	4.0 lbs
DE3L-1-NPT	1" NPT	5145	.98	2.52	4.45	2.56	.55	3.25	2.24	6.38	.26	2.17	2.27	.39	5.5 lbs
DE3L-114R-NPT <i>Reduced Port</i>	1 1/4" NPT	4500	.98	2.53	4.72	2.56	.55	3.25	2.36	6.38	.26	2.17	2.29	.39	6.0 lbs
DE3L-112R-NPT <i>Reduced Port</i>	1 1/2" NPT	4500	.98	2.53	4.84	2.56	.55	3.25	2.36	6.38	.26	2.17	2.29	.39	6.5 lbs
DB3L-114-NPT	1 1/4" NPT	4500	1.26	3.31	4.73	3.31	.67	4.14	2.96	9.00	-	-	-	.51	10.5 lbs
DB3L-112-NPT	1 1/2" NPT	4500	1.57	3.74	5.14	3.59	.67	4.61	3.35	9.00	-	-	-	.51	14.0 lbs
DB3L-2-NPT	2" NPT	4500	1.97	4.43	5.51	3.94	.67	5.18	4.14	9.00	-	-	-	.51	20.0 lbs

Model #	Thread	psi	Port	A	B	C	D	E	F	G	H	J	K	SW	Weight
DE3L-04 SAE	7/16"-20	5880	.24	1.27	2.72	1.46	.38	1.78	1.11	4.51	.18	1.02	1.07	.32	1.0 lb
DE3L-06 SAE	9/16"-18	5880	.39	1.58	2.84	1.65	.38	2.08	1.26	4.51	.26	1.23	1.38	.32	1.5 lbs
DE3L-08 SAE	3/4"-16	5145	.51	1.58	2.28	1.90	.38	2.08	1.37	4.51	.26	1.46	1.38	.32	2.0 lbs
DE3L-12 SAE	1 1/16"-12	5145	.79	2.27	3.74	2.36	.55	2.97	1.89	6.38	.26	1.77	2.01	.39	4.0 lbs
DE3L-16 SAE	1 5/16"-12	5145	.98	2.52	4.45	2.56	.55	3.25	2.24	6.38	.26	2.17	2.27	.39	5.5 lbs
DE3L-20R SAE <i>Reduced Port</i>	1 5/8"-12	4500	.98	2.53	4.72	2.56	.55	3.25	2.36	6.38	.26	2.17	2.29	.39	6.0 lbs
DE3L-24R SAE <i>Reduced Port</i>	1 7/8"-12	4500	.98	2.53	4.84	2.56	.55	3.25	2.36	6.38	.26	2.17	2.29	.39	6.5 lbs
DB3L-20 SAE	1 5/8"-12	4500	1.26	3.31	4.73	3.31	.67	4.14	2.96	9.00	-	-	-	.51	10.5 lbs
DB3L-24 SAE	1 7/8"-12	4500	1.57	3.74	5.14	3.59	.67	4.61	3.35	9.00	-	-	-	.51	14.0 lbs
DB3L-32 SAE	2 1/2"-12	4500	1.97	4.43	5.51	3.94	.67	5.18	4.14	9.00	-	-	-	.51	20.0 lbs

"L" Port Standard. "T" Port available by special order, with minimum quantity.