

BALL
VALVES

 **LEGEND
VALVE**

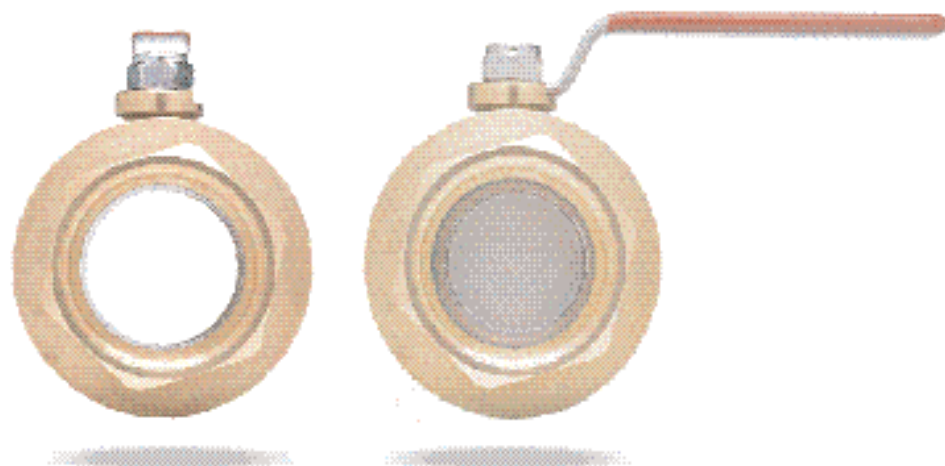
Downstream
Thinking.

IT'S ALL ABOUT YOU

Introducing the first innovation in ball valves in decades:



The Cubic Ball!



LEGEND MODEL T-1004 ball valves are constructed of heavy-duty forged brass. They are designed for residential and commercial use on steam, water, oil or gas applications. The heavy-duty blowout proof stem utilizes two *Teflon anti-friction washers and two Viton o-rings. The T-1004's unique Cubic Ball design offers increased durability over traditional ball designs. Each Cubic Ball has been machined to eliminate 90% of the surface area that contacts the *Teflon seats. This results in a 20% reduction in torque and increases the life expectancy of the valve by 50%.

*Teflon is a registered trademark of DuPont

**LEGEND
VALVE**

Toll Free: (800) 752-2082 • Fax: (800) 835-4457

E-mail: service@legendvalve.com • Web: www.legendvalve.com

AVAILABLE ACCESSORIES:

locking device, memory stop, stem extension, tee handle, slow closing gear, extension handle



The New T-1004 Valve has the most appealing of any valve in the industry.

FULL PORT BALL VALVES

FORGED BRASS
I.P.S. AND CxC

ISO-9002



MODEL
T-1001



MODEL
S-1001

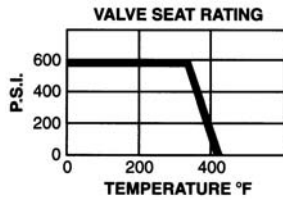


MATERIAL SPECIFICATION	
PART	MATERIAL
HANDLE NUT	DACROMET COATED STEEL
HANDLE	DACROMET COATED STEEL
ANTI-FRICTION WASHER	TEFLON*
STEM O-RINGS	VITON
THRUST WASHER	TEFLON*
STEM	FORGED BRASS
BALL	CHROME PLATED BRASS
SEATS	TEFLON*
BODY	FORGED BRASS
END ADAPTER	FORGED BRASS

PRESSURE RATING

1/8 2	600 W.O.G. NON-SHOCK
2 1/2 4	400 W.O.G. NON-SHOCK

All sizes rated: 150 W.S.P.



LEGEND MODELS T-1001/S-1001 ball valves are constructed of heavy duty forged brass. They are designed for residential and commercial use on steam, water, oil or gas. Their full ports allow for a maximum of flow and a minimum of pressure drop or turbulence. The heavy duty blowout proof stem utilizes two Teflon* anti-friction washers and two Viton o-rings.

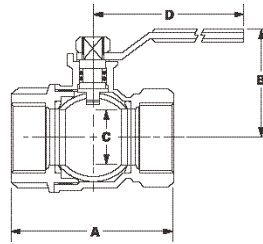
The S-1001 series is NSF approved for use on potable water.

- CSA certified for use with natural, manufactured, mixed, liquefied petroleum and L.P. gas/air mixtures: ANSI standard Z21.15 for use as a gas appliance connector valve for 1/2-lb. systems. (1/2"-3")
CSA certified 3-88 for use in 2 or 5 lb. house piping systems. (1/4"-2")
ANSI/ASME B16.33 for use in gas piping systems up to 125 PSIG. (1/2"-1")
- U.L. listed 44R8 for L.P., natural and manufactured gases; flammable liquids; No. 6 oil at 250 F. (1/4"-2")
- U.L. listed 757X for fire protection service. (1/2"-2")
- Factory Mutual approved for fire protection service. (1/2"-2")

CONFORMS TO FEDERAL SPECIFICATION WW-V-35C

DIMENSIONS IN INCHES

VALVE SIZE	A (I.P.S.)	A (CxC)	B	C	D	C.V.**
1/8	1.54		1.38	.31	1.71	5.0
1/4	1.77		1.28	.39	3.07	7.68
3/8	1.77		1.28	.39	3.07	7.80
1/2	2.08	2.29	1.42	.59	3.07	14.2
3/4	2.44	3.15	1.87	.79	3.78	28.6
1	2.91	3.84	2.02	1.00	3.78	56.4
1 1/4	3.28	4.31	2.22	1.25	3.78	114.0
1 1/2	3.72	5.00	2.78	1.58	5.43	162.9
2	4.28	6.10	3.09	2.00	5.43	365.6
2 1/2	5.63	6.97	3.98	2.28	6.97	460.1
3	6.30	7.91	4.29	2.68	6.97	630
4	7.99	7.19	4.29	2.88	8.00	1180.2



**The CV Factor is the gallons of water per minute passed through the valve with a 1 PSI pressure drop.

FULL PORT BALL VALVES

FORGED BRASS
GLAND FOLLOWER STEM DESIGN
I.P.S. AND CxC

ISO-9002



MODEL
T-1002



MODEL
S-1002

NSF 61-8

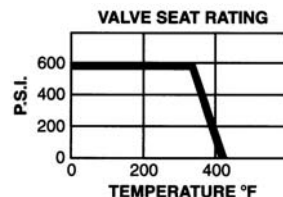


MATERIAL SPECIFICATION	
PART	MATERIAL
HANDLE NUT	STEEL
HANDLE	STEEL
PACKING NUT	FORGED BRASS
STEM PACKING	TEFLON*
STEM	FORGED BRASS
BALL	CHROME PLATED BRASS
SEATS	TEFLON*
BODY	FORGED BRASS
END ADAPTER	FORGED BRASS

PRESSURE RATING

1/4 2	600 W.O.G. NON-SHOCK
2 1/2 3	400 W.O.G. NON-SHOCK

All sizes rated: 150 W.S.P.



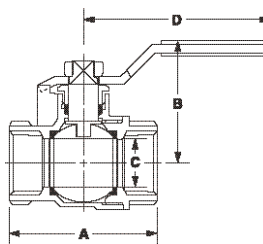
LEGEND MODELS T-1002/S-1002 ball valves are constructed of heavy duty forged brass. They are designed for residential, commercial and industrial use on steam, water, oil or gas. Their full ports allow for a maximum of flow and a minimum of pressure drop or turbulence. The stem is sealed with an adjustable gland follower and is a blowout proof design.

- CSA certified for use with natural, manufactured, mixed, liquefied petroleum and L.P. gas/air mixtures: ANSI standard Z21.15 for use as a gas appliance connector valve for 1/2-lb. systems. (1/2"-2")
CSA certified 3-88 for use in 2 or 5 lb. house piping systems. (1/2"-2")
ANSI/ASME B16.33 for use in gas piping systems up to 125 PSIG. (1/2"-2")
- U.L. listed 2J73 for L.P., natural and manufactured gases; flammable liquids; No. 6 oil at 250 F. (1/2"-2")
- Factory Mutual approved for fire protection service. (1/2"-2")

CONFORMS TO FEDERAL SPECIFICATION WW-V-35C

DIMENSIONS IN INCHES

VALVE SIZE	A (I.P.S.)	A (CxC)	B	C	D	C.V.**
1/4	1.81		1.46	.39	3.31	6.5
3/8	1.81	1.62	1.46	.39	3.31	6.5
1/2	2.01	1.93	1.54	.50	3.31	10
3/4	2.36	2.76	1.89	.79	4.65	26
1	2.88	3.31	2.05	1.00	4.65	48
1 1/4	3.31	3.78	2.52	1.26	5.28	70
1 1/2	3.63	4.30	2.72	1.50	5.28	105
2	4.22	5.32	3.47	2.00	7.88	200
2 1/2	5.16	6.97	3.86	2.48	7.88	380
3	5.91	7.91	4.17	2.95	7.88	520



**The CV Factor is the gallons of water per minute passed through the valve with a 1 PSI pressure drop.

FULL PORT BALL VALVE

**FORGED BRASS
HEAVY PATTERN
I.P.S.**

ISO-9002



**MODEL
T-1004**



**MODEL
S-1004**

LEGEND MODELS T-1004 / S-1004 ball valves are constructed of heavy-duty forged brass. They are designed for commercial and industrial use on steam, water, oil or gas applications. The heavy-duty blowout proof stem utilizes two *Teflon anti-friction washers and two Viton o-rings. The 1004 s unique Cubic Ball design offers increased durability over traditional ball designs. Each Cubic Ball has been machined to eliminate 90% of the surface area that contacts the *Teflon seats. This results in a 20% reduction in torque and increases the life expectancy of the valve by 50%.



- CSA certified for use with natural, manufactured, mixed, liquified petroleum and L.P. gas/air mixtures:
 - ANSI standard Z21.15 for use as a gas appliance connector valve for 1/2-lb. systems. (1/2 -2)
 - CSA certified 3-88 for use in 2 or 5lb. house piping systems (1/2 -2)
 - ANSI/ASME B16.33 for use in gas piping systems up to 125 psig. (1/2 -1)
- U.L. Listed 44R8 for L.P. natural and manufactured gasses; flammable liquids; No. 6 oil at 250 F. (1/2 -2)
- U.L. Listed 757x for fire protection service. (1/2 -2)
- Factory Mutual approved for fire protection service (1/2 -2)

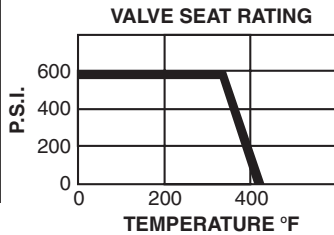
CONFORMS TO FEDERAL SPECIFICATIONS WW-V-35C

MATERIAL SPECIFICATION	
PART	MATERIAL
HANDLE NUT	DACROMET COATED STEEL
HANDLE	DACROMET COATED STEEL
O-RINGS	VITON
THRUST WASHER	TEFLON*
STEM	CHROME PLATED BRASS
CUBIC BALL	CHROME PLATED BRASS
SEATS	TEFLON*
BODY	FORGED BRASS
END ADAPTER	FORGED BRASS

*DUPONT REG. T.M.

PRESSURE RATING
600 W.O.G. NON-SHOCK

All sizes rated: 150 W.S.P.



DIMENSIONS IN INCHES

VALVE SIZE	A (I.P.S.)	A (CxC)	B	C	D	C.V.**
1/2	2.21	2.29	1.42	.59	3.07	14.2
3/4	2.46	3.15	1.87	.79	3.78	28.6
1	3.00	3.84	2.02	1.00	3.78	56.4
1 1/4	3.39	4.31	2.22	1.25	3.78	114.0
1 1/2	3.80	5.00	2.78	1.58	5.43	162.9
2	4.35	6.10	3.09	2.00	5.43	365.6
2 1/2	5.63	6.97	3.98	2.28	6.77	460.1
3	6.30	7.91	4.29	2.68	6.77	630
4	7.99	-	5.16	3.55	7.28	1180.2

BRONZE BALL VALVES

**FULL PORT
GLAND FOLLOWER STEM DESIGN
I.P.S. AND CxC**

ISO-9002



**MODEL
T-901**



**MODEL
S-901**

LEGEND MODELS T-901/S-901 ball valves are constructed of heavy duty bronze. They are designed for commercial and industrial use on steam, water, oil or gas. The stem is bottom loaded blowout proof design. Teflon* seats, packing and thrust washer assure long life. The large raised wrench flats reduce slippage. The extra long solder ends on the S-901 reduce the chance of damage to the seats while soldering.

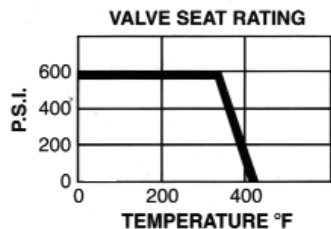
CONFORMS TO FEDERAL SPECIFICATION WW-V-35C

MATERIAL SPECIFICATION	
PART	MATERIAL
HANDLE NUT	STEEL
HANDLE	STEEL
PACKING NUT	FORGED BRASS
STEM PACKING	TEFLON*
STEM	FORGED BRASS
BALL	CHROME PLATED BRASS
SEATS	TEFLON*
BODY	BRONZE
END ADAPTER	BRONZE

*DUPONT REG. T.M.

PRESSURE RATING
600 W.O.G. NON-SHOCK

All sizes rated: 150 W.S.P.



DIMENSIONS IN INCHES

VALVE SIZE	A (I.P.S.)	A (CxC)	B	C	D	C.V.**
1/4	1.77	-	1.28	.39	3.07	7.68
3/8	1.77	-	1.28	.39	3.07	7.80
1/2	2.13	1.93	1.54	.50	3.31	10
3/4	2.56	2.76	1.89	.79	4.65	26
1	2.91	3.31	2.05	1.00	4.65	48
1 1/4	3.39	3.78	2.52	1.26	5.28	70
1 1/2	3.78	4.29	2.72	1.50	5.28	105
2	4.37	5.31	3.46	2.00	7.87	200
2 1/2	5.55	-	3.86	2.48	7.87	380
3	6.22	-	4.17	2.95	7.87	520

**The CV Factor is the gallons of water per minute passed through the valve with a 1 PSI pressure drop.



MODEL
T-800



MODEL
S-800

NSF 61-8



LEGEND MODELS T-800/S-800 ball valves are constructed of heavy duty forged brass. They are designed for commercial and industrial use on steam, water, oil or gas. The T-800/S-800 is a conventional port ball valve but has excellent flow characteristics compared with other valves in its class. The stem is bottom loaded, blowout proof design. The large raised wrench flats reduce slippage. The extra long solder ends on the S-800 reduce the chance of damage to the seats while soldering. The T-800/S-800 series ball valves feature a low-lead brass alloy that meets the requirements of NSF 61 Section 8 for lead leaching as specified in the Safe Drinking Water Act.



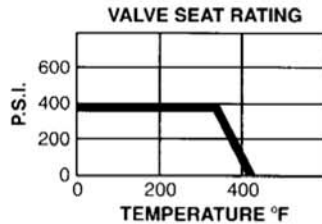
CONFORMS TO FEDERAL SPECIFICATION WW-V-35C

MATERIAL SPECIFICATION	
PART	MATERIAL
HANDLE NUT	COATED STEEL
HANDLE	DACROMET COATED STEEL
ANTI-FRICTION WASHER	TEFLON*
STEM O-RING	VITON
THRUST WASHER	TEFLON*
STEM	FORGED BRASS
BALL	CHROME PLATED BRASS
SEATS	TEFLON*
BODY	FORGED BRASS
END ADAPTER	FORGED BRASS

*DUPONT REG. T.M.

PRESSURE RATING
400 W.O.G. NON-SHOCK

All sizes rated: 125 W.S.P.



DIMENSIONS IN INCHES						
VALVE SIZE	A (I.P.S.)	A (CxC)	B	C	D	C.V.**
1/4	1.60	-	1.38	.31	1.71	7.68
3/8	1.60	-	1.40	.31	1.71	7.8
1/2	1.94	2.13	1.74	.39	3.07	7.8
3/4	2.05	2.91	2.00	.59	3.07	14.2
1	2.62	3.56	2.58	.79	3.78	28.6
1 1/4	2.90	3.98	2.93	.98	3.78	56.4
1 1/2	3.28	4.61	3.25	1.26	3.78	114.0
2	3.81	5.63	4.13	1.58	5.43	162.9
2 1/2	4.48	-	5.10	2.00	7.88	200.0
3	5.33	-	6.00	2.50	7.88	313.1
4	6.86	-	7.00	2.96	7.88	536.6

**The CV Factor is the gallons of water per minute passed through the valve with a 1 PSI pressure drop.

DRAINABLE BALL VALVES

FULL PORT
FORGED BRASS
I.P.S. AND CxC

ISO-9002



MODEL T-1100



MODEL S-1100

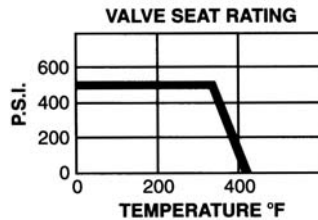
LEGEND MODELS T-1100/S-1100 ball valves are constructed of heavy duty forged brass. The drain feature allows water to be drained from the line preventing freeze-up. Full ports allow a maximum flow rate. Excellent as an alternative to conventional stop & waste. The heavy duty stem is a blowout proof design. The T-1100/S-1100 series ball valves feature a low-lead brass alloy that meets the requirements of NSF 61 Section 8 for lead leaching as specified in the Safe Drinking Water Act



MATERIAL SPECIFICATION	
PART	MATERIAL
HANDLE NUT	DACROMET COATED STEEL
HANDLE	DACROMET COATED STEEL
ANTI-FRICTION WASHER	TEFLON*
STEM O-RING	VITON
THRUST WASHER	TEFLON*
STEM	FORGED BRASS
BALL	CHROME PLATED BRASS
SEATS	TEFLON*
BODY	FORGED BRASS
END ADAPTER	FORGED BRASS
BLEEDER CAP	BRASS

*DUPONT REG. T.M.

PRESSURE RATING
500 W.O.G. NON-SHOCK



DIMENSIONS IN INCHES

VALVE SIZE	A (I.P.S.)	A (CxC)	B	C	D	C.V.**
1/2	2.19	2.29	1.42	.59	3.07	14.2
3/4	2.47	3.15	1.87	.79	3.78	28.6
1	2.94	3.84	2.03	1.00	3.78	56.4

DRAINABLE BALL VALVE

FULL PORT
GLAND FOLLOWER STEM DESIGN
FORGED BRASS CxC

ISO-9002



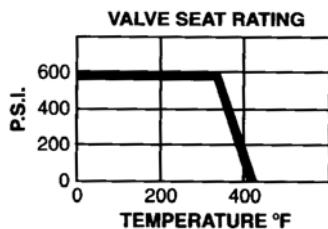
MODEL S-1102

LEGEND MODEL S-1102 ball valves are constructed of heavy duty forged brass. The drain feature allows water to be drained from the line preventing freeze-up. Full ports allow a maximum flow rate. Excellent as an alternative to conventional stop & wastes. The stem is sealed with an adjustable gland follower and is a blowout proof design.

MATERIAL SPECIFICATION	
PART	MATERIAL
HANDLE NUT	STEEL
HANDLE	STEEL
PACKING NUT	FORGED BRASS
STEM PACKING	TEFLON*
STEM	FORGED BRASS
BALL	CHROME PLATED BRASS
SEATS	TEFLON*
BODY	FORGED BRASS
END ADAPTER	FORGED BRASS
BLEEDER CAP	BRASS

*DUPONT REG. T.M.

PRESSURE RATING
600 W.O.G. NON-SHOCK



DIMENSIONS IN INCHES

VALVE SIZE	A	B	C	D	C.V.**
1/2	1.93	1.54	.50	3.31	10
3/4	2.76	1.87	.79	4.65	26
1	3.31	2.13	1.00	4.65	48

**The CV Factor is the gallons of water per minute passed through the valve with a 1 PSI pressure drop.

COMPRESSION END BALL VALVE

FULL PORT
FORGED BRASS

ISO-9002



MODEL
T-1009

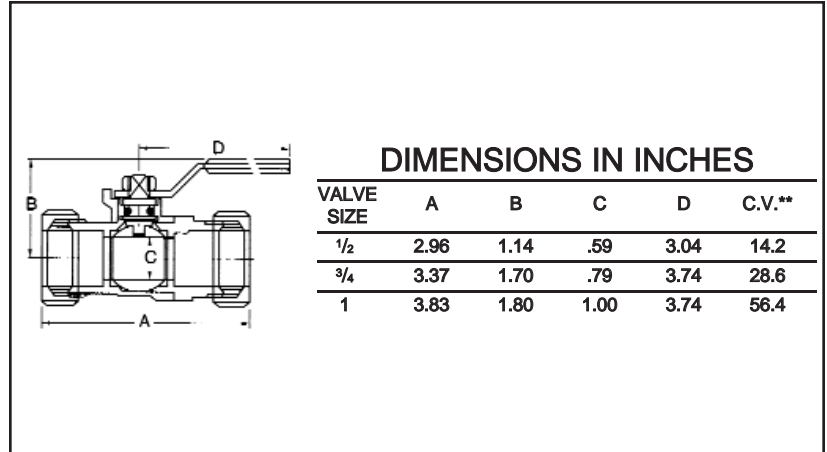
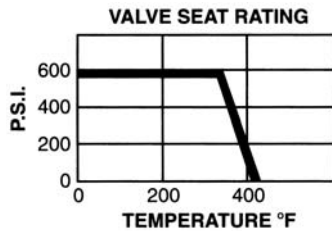
LEGEND MODEL T-1009 ball valves are constructed of heavy duty forged brass. They are equipped with labor saving compression ends which are also ideal for repair purposes. The compression ends eliminate the possibility of seat damage during soldering which is becoming more common with the use of lead-free solders. Their full ports allow for a maximum of flow and a minimum of pressure drop or turbulence. The heavy duty stem is a blowout proof design. The T-1009 series ball valves feature a low-lead brass alloy that meets the requirements of NSF 61 Section 8 for lead leaching as specified in the Safe Drinking Water Act.



MATERIAL SPECIFICATION	
PART	MATERIAL
HANDLE NUT	DACROMET COATED STEEL
HANDLE	DACROMET COATED STEEL
ANTI-FRICTION WASHER	TEFLON*
STEM O-RING	VITON
THRUST WASHER	TEFLON*
STEM	FORGED BRASS
BALL	CHROME PLATED BRASS
SEATS	TEFLON*
BODY	FORGED BRASS
END ADAPTER	FORGED BRASS
COMP. NUTS	FORGED BRASS
FERRULES	BRASS

*DUPONT REG. T.M.

PRESSURE RATING
600 W.O.G. NON-SHOCK



**The CV Factor is the gallons of water per minute passed through the valve with a 1 PSI pressure drop.

COMPRESSION END BALL VALVE

CONVENTIONAL PORT
WITH DRAIN
FORGED BRASS

ISO-9002



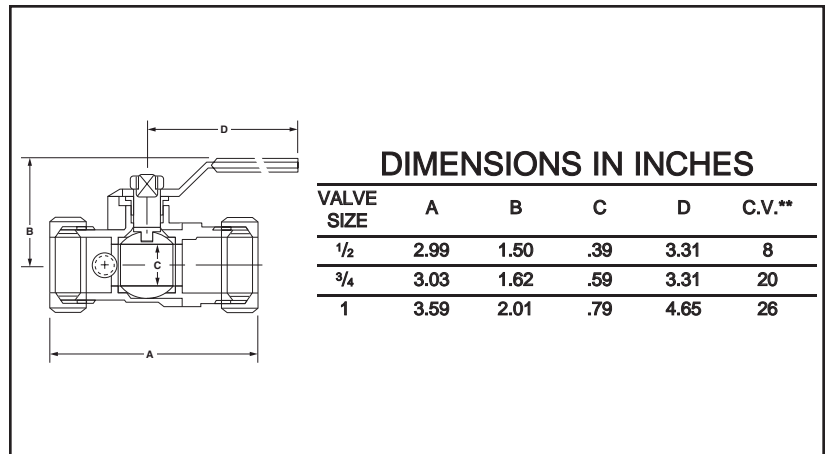
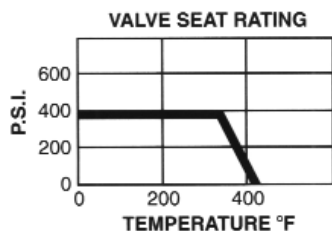
MODEL
T-802

LEGEND MODEL T-802 ball valves are constructed of heavy duty forged brass. The drain feature allows water to be drained from the line preventing freeze-up. They are equipped with labor saving compression ends which are also ideal for repair purposes. The compression ends eliminate the possibility of seat damage during soldering which is becoming more common with the use of lead-free solders. The stem is sealed with an adjustable gland follower and is a blowout proof design.

MATERIAL SPECIFICATION	
PART	MATERIAL
HANDLE NUT	STEEL
HANDLE	STEEL
PACKING NUT	FORGED BRASS
STEM PACKING	TEFLON*
STEM	FORGED BRASS
BALL	CHROME PLATED BRASS
SEATS	TEFLON*
BODY	FORGED BRASS
END ADAPTER	FORGED BRASS
COMP. NUTS	BRASS
FERRULES	BRASS TUBE
BLEEDER CAP	BRASS

*DUPONT REG. T.M.

PRESSURE RATING
400 W.O.G. NON-SHOCK



**The CV Factor is the gallons of water per minute passed through the valve with a 1 PSI pressure drop.

PEX-END BALL VALVE

FULL PORT
FORGED BRASS

ISO-9002



MODEL
T-806

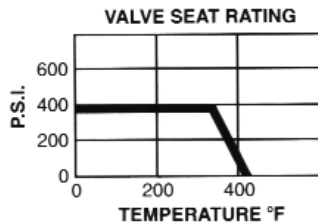
LEGEND MODEL T-806 ball valves have barbed ends for use on pex tubing. They are constructed of heavy duty forged brass. They are designed for residential and commercial use. The stem is a blowout proof design.



MATERIAL SPECIFICATION	
PART	MATERIAL
HANDLE NUT	DACROMET COATED STEEL
HANDLE	DACROMET COATED STEEL
ANTI-FRICTION WASHER	TEFLON*
STEM O-RING	VITON
STEM THRUST WASHER	FORGED BRASS TEFLON*
BALL	CHROME PLATED BRASS
SEATS	TEFLON*
BODY	FORGED BRASS
END ADAPTER	FORGED BRASS

*DUPONT REG. T.M.

PRESSURE RATING
400 W.O.G. NON-SHOCK



DIMENSIONS IN INCHES

VALVE SIZE	A	B	C	D
1/2	2.61	1.30	.36	2.96
3/4	2.80	1.51	.54	3.06
1	3.45	1.64	.72	3.78

MALE x FEMALE BALL VALVE

LARGE PORT
FORGED BRASS

ISO-9002



MODEL
T-900MxF

LEGEND MODEL T-900MxF ball valves are constructed of heavy duty forged brass. They are designed for commercial and industrial use on steam, water, oil or gas. Excellent for many OEM applications. Available with a lever or T-handle. The stem is a blowout proof design. The T-900MxF series ball valves feature a low-lead brass alloy that meets the requirements of NSF 61 Section 8 for lead leaching as specified in the Safe Drinking Water Act.

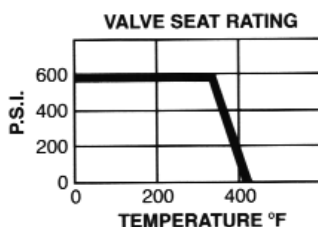


MATERIAL SPECIFICATION	
PART	MATERIAL
HANDLE NUT	DACROMET COATED STEEL
HANDLE	DACROMET COATED STEEL
ANTI-FRICTION WASHER	TEFLON*
STEM O-RING	VITON
THRUST WASHER	TEFLON*
STEM	FORGED BRASS
BALL	CHROME PLATED BRASS
SEATS	TEFLON*
BODY	FORGED BRASS
END ADAPTER	FORGED BRASS

*DUPONT REG. T.M.

PRESSURE RATING
1/8 - 3/4 600 W.O.G. NON-SHOCK
1 500 W.O.G. NON-SHOCK

All sizes rated: 150 W.S.P.



DIMENSIONS IN INCHES

VALVE SIZE	A	B	C	D	C.V.**
1/8	1.80	1.41	.29	1.72	7
1/4	1.80	1.41	.32	1.65	7.68
3/8	2.15	1.70	.39	3.06	7.79
1/2	2.50	1.86	.50	3.06	11.87
3/4	2.90	2.50	.69	3.81	21.41
1	3.33	2.78	.89	3.81	42.2

**The CV Factor is the gallons of water per minute passed through the valve with a 1 PSI pressure drop.

FEMALE x SWEAT BALL VALVE

FULL PORT
FORGED BRASS

ISO-9002



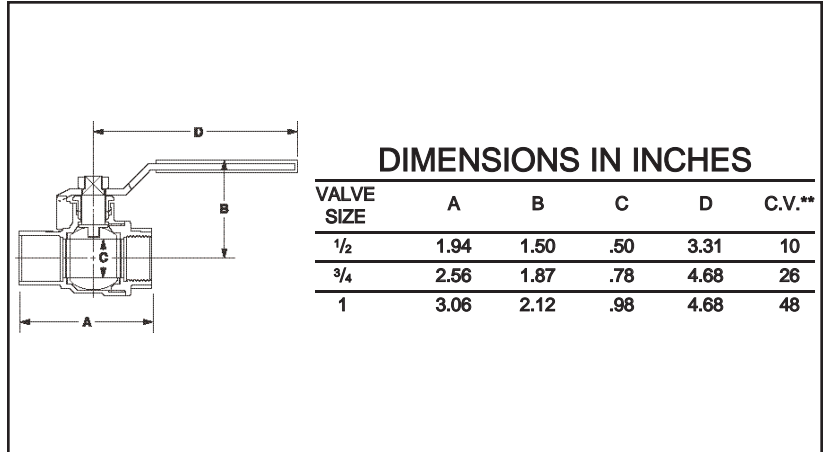
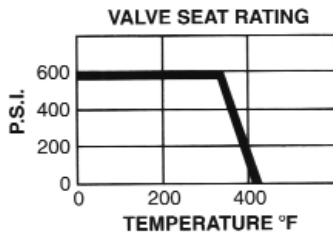
**MODEL
T-1007**

LEGEND MODEL T-1007 is the same construction as our T-1002 ball valve except with female x sweat ends. They are designed to connect boilers to copper tube. Their full port allows for a maximum of flow and a minimum of pressure drop or turbulence. The stem is sealed with an adjustable gland follower and is a blowout proof design.

MATERIAL SPECIFICATION	
PART	MATERIAL
HANDLE NUT	STEEL
HANDLE	STEEL
PACKING NUT	FORGED BRASS
STEM PACKING	TEFLON*
STEM	FORGED BRASS
BALL	CHROME PLATED BRASS
SEATS	TEFLON*
BODY	FORGED BRASS
END ADAPTER	FORGED BRASS

*DUPONT REG. T.M.

PRESSURE RATING
600 W.O.G. NON-SHOCK
All sizes rated: 150 W.S.P.



**The CV Factor is the gallons of water per minute passed through the valve with a 1 PSI pressure drop.

BALL VALVE GAUGE COCKS

FORGED BRASS
I.P.S.

ISO-9002



**MODEL
T-800T**



**MODEL
T-900MxF-T**

LEGEND MODELS T-800T and T-900MxF-T ball valve gauge cocks are constructed of heavy duty forged brass. They are designed to replace the traditional plug valve design and have the following advantages:

- 400 WOG pressure rating
- Always easily hand operable
- No bottom nut to tighten
- Seats and packing instead of grease creating the seal
- The valve cannot be blown-out

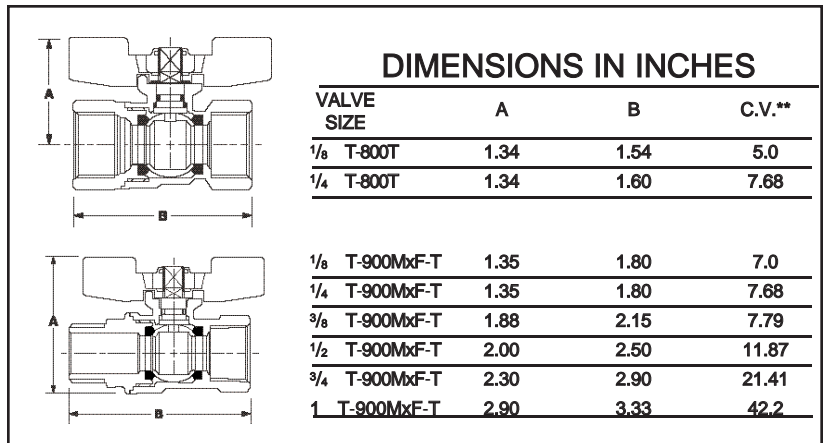
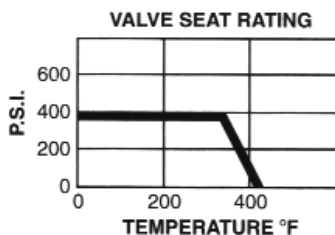
The T-800T and T-900MxF-T series ball valves feature a low-lead brass alloy that meets the requirements of NSF 61 Section 8 for lead leaching as specified in the Safe Drinking Water Act.



MATERIAL SPECIFICATION	
PART	MATERIAL
HANDLE NUT	DACROMET COATED STEEL
T-HANDLE	ALUMINUM
ANTI-FRICTION WASHER	TEFLON*
STEM O-RING	VITON
THRUST WASHER	TEFLON*
STEM	FORGED BRASS
BALL	CHROME PLATED BRASS
SEATS	TEFLON*
BODY	FORGED BRASS
END ADAPTER	FORGED BRASS

*DUPONT REG. T.M.

PRESSURE RATING
400 W.O.G. NON-SHOCK
All sizes rated: 125 W.S.P.



BALL BOILER DRAINS & SILLCOCKS

FORGED BRASS

ISO-9002



MODEL R931



MODEL R939

LEGEND MODEL R931 BOILER DRAINS and R939 SILLCOCKS are the first major innovation in plumbing valves in decades. The unique 2-piece design is accomplished by attaching the ball to the handle-stem which is then assembled to the valve body. The Nitrile rubber seats are affixed to the ball itself. The ball design allows for 1/4-turn operation and a useful life many times greater than traditional globe-type plumbing valves. They have been life cycle tested to 12,000 operations.

MATERIAL SPECIFICATION		PRESSURE RATING 150 P.S.I. W.O.G. @200°F
PART	MATERIAL	
BODY	FORGED BRASS	
O-RING	NBR	
LEVER-BALL	FORGED BRASS	
LEVER-BALL SEALS	NBR	

DIMENSIONS IN INCHES

VALVE SIZE	A	B	C.V.**
1/2" R931	1.30	2.64	7.2
3/4" x 1/2" R939	2.11	2.66	7.0

**The CV Factor is the gallons of water per minute passed through the valve with a 1 PSI pressure drop.

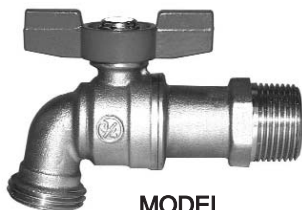
BALL HOSE BIBB

FORGED BRASS
I.P.S. x HOSE

ISO-9002



MODEL T-540



MODEL T-537

LEGEND MODELS T-537 & T-540 ball hose bibbs are constructed of heavy-duty forged brass. The ball design is an ideal replacement for the traditional globe-type boiler drain, sillcock, or hose bibb. Because of the frequency of operation, the globe design in this application will wear out quickly. This design has been life cycle tested at 380,000 operations.

*1/2" T-537 has combination 1/2" M.I.P. and 1/2" solder inlet connection.

MATERIAL SPECIFICATION		PRESSURE RATING 200 W.O.G. NON-SHOCK
PART	MATERIAL	
HANDLE NUT	COATED STEEL	
HANDLE (T-537)	ALUMINUM	
HANDLE (T-540)	DACROMET COATED STEEL	
SEAT	TEFLON*	
SEAT #2	NEOPRENE	
BODY	FORGED BRASS	

*DUPONT REG. T.M.

DIMENSIONS IN INCHES

VALVE SIZE)	A	B	C	D	C.V.**
1/2" T-537	.75	3.30	1.24	2.50	7.5
3/4" T-537	.75	3.70	1.33	2.50	12.8
3/4" T-540	.75	3.70	1.25	2.15	12.8

**The CV Factor is the gallons of water per minute passed through the valve with a 1 PSI pressure drop.

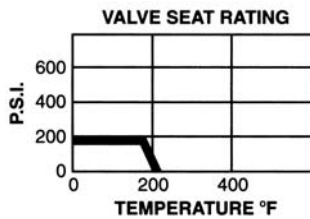


MODEL
T-538

LEGEND MODEL T-538 ball valve bent nose garden valve is constructed of heavy-duty forged brass. The ball design is an ideal replacement for the traditional globe type in this application. Because of the frequency of operation the globe design will wear-out quickly. The T-538 has been life cycle tested at 380,000 operations.

MATERIAL SPECIFICATION	
PART	MATERIAL
HANDLE	ALUMINUM
FIXING RING	PHOSPHOR BRONZE
O-RING	NBR
STEM	FORGED BRASS
BALL	CHROME PLATED BRASS
SEATS	NBR
BODY	FORGED BRASS
FIXING SCREW	STAINLESS STEEL

PRESSURE RATING
200 W.O.G. NON-SHOCK



DIMENSIONS IN INCHES			
VALVE SIZE	A	B	C
3/4	2.88	2.80	1.43

BALL VALVE ACCESSORIES



LOCKING DEVICE

LEGEND LOCKING DEVICES are for use on T/S-2000, T/S-1004, T/S-1001, T-1009, T-900MxF, T-806 and T/S-1100 series ball valves. The locking device is easily inserted beneath the handle and prevents tampering in either the open or closed position.



MEMORY STOP

LEGEND MEMORY STOPS are for use on T/S-2000, T/S-1004, T/S-1001, T-1009, T-900MxF, T-806 and T/S-1100 series ball valves. The memory stop is inserted beneath the handle and is easily adjusted to any desired flow rate.



STEM EXTENSION

LEGEND STEM EXTENSIONS are for use on T/S-2000, T/S-1004, T/S-1001, T-1009, T-900MxF, T-806 and T/S-1100 series ball valves. The stem extension is inserted easily beneath the handle. Ideal for applications on insulated pipe.



LEVER HANDLE

LEGEND LEVER AND TEE HANDLES are for use on T/S-2000, T/S-1004, T/S-1001, T-1009, T-900MxF, T-806 and T/S-1100 series ball valves. The tee handle is ideally suited for use in confined areas.



EXTENSION HANDLE

LEGEND EXTENSION HANDLES are for use on T/S-2000, T/S-1004, T/S-1001, T-1009, T-900MxF, T-806 and T/S-1100 series ball valves. The extension handle replaces the conventional lever handle and stem extension for use on insulated pipe.



TEE HANDLE

3 PIECE STAINLESS STEEL BALL VALVE

INVESTMENT CAST
FULL PORT I.P.S.

ISO-9002



MODEL
T-717

LEGEND MODEL T-717 ball valves are constructed of investment cast 316 stainless steel. They are designed for industrial use on a wide range of fluid handling applications. The 3-piece lift-out design is ideal for easy maintenance. The latch-lock handle accessory is standard. The full port allows for a maximum of flow and a minimum of pressure drop. The stem is bottom loaded, blowout proof design.

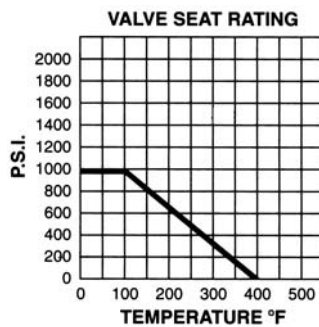
CONFORMS TO FEDERAL SPECIFICATION WW-V-35C, TYPE II
COMPOSITION: SS, STYLE I AND MSS SP-110.

MATERIAL SPECIFICATION	
PART	MATERIAL
HANDLE NUT	304 SS
HANDLE	304 SS
PACKING NUT	304 SS
STEM PACKING	TEFLON*
THRUST WASHER	TEFLON*
SEATS	TEFLON*
STEM	316 SS
BALL	316 SS
BODY	316 SS
END ADAPTER SEALS	TEFLON*
END ADAPTERS	316 SS
BOLTS	304 SS
BOLT NUTS	304 SS
LATCH-LOCK	304 SS

*DUPONT REG. T.M.

PRESSURE RATING
1000 W.O.G. NON-SHOCK

All sizes rated: 150 W.S.P.



DIMENSIONS IN INCHES					
VALVE SIZE	A	B	C	D	C.V.**
1/4	2.25	1.73	.47	3.94	6.0
3/8	2.25	1.73	.50	3.94	12.0
1/2	2.54	1.97	.59	4.53	19.0
3/4	3.07	2.13	.79	4.53	37.0
1	3.47	2.60	1.00	4.93	64.0
1 1/4	4.12	2.74	1.26	4.93	103.0
1 1/2	4.71	3.31	1.50	6.30	143.0
2	5.26	3.63	2.00	6.30	360.0

**The CV Factor is the gallons of water per minute passed through the valve with a 1 PSI pressure drop.

2 PIECE STAINLESS STEEL BALL VALVE

INVESTMENT CAST
FULL PORT I.P.S.

ISO-9002



MODEL
T-712

LEGEND MODEL T-712 ball valves are constructed of investment cast 316 stainless steel. They are designed for commercial and industrial use on a wide range of fluid handling applications. The stem is bottom loaded, blowout proof design. The full port allows for a maximum of flow and a minimum of pressure drop. The latch-lock handle accessory is standard. Also equipped with tapped mounting pad for actuators (1/4"-1": UNC 3/16 -24 and 1/4"-3": UNC 1/4-20)

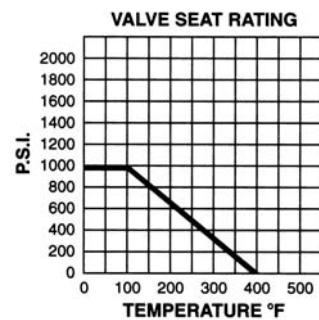
CONFORMS TO FEDERAL SPECIFICATION WW-V-35C,TYPE II
COMPOSITION: SS, STYLE 3 AND MSS SP-110.

MATERIAL SPECIFICATION	
PART	MATERIAL
HANDLE NUT	304 SS
HANDLE	304 SS
PACKING NUT	304 SS
STEM PACKING	TEFLON*
THRUST WASHER	TEFLON*
SEATS	TEFLON*
STEM	316 SS
BALL	316 SS
BODY	316 SS
END ADAPTER SEAL	TEFLON*
END ADAPTER	316 SS
LATCH-LOCK	304 SS

*DUPONT REG. T.M.

PRESSURE RATING
1000 W.O.G. NON-SHOCK

All sizes rated: 150 W.S.P.



DIMENSIONS IN INCHES					
VALVE SIZE	A	B	C	D	C.V.**
1/4	2.09	1.73	.42	3.94	6.0
3/8	2.09	1.73	.50	3.94	12.0
1/2	2.36	1.97	.59	4.53	19.0
3/4	2.72	2.13	.79	4.53	37.0
1	3.27	2.56	1.00	4.93	64.0
1 1/4	3.63	2.76	1.26	4.93	103.0
1 1/2	4.37	3.31	1.50	6.30	143.0
2	4.93	3.63	2.00	6.30	360.0
2 1/2	6.42	4.53	2.56	9.06	440.0
3	6.97	4.96	3.15	9.06	580.0
4	9.17	7.09	3.94	11.42	820

**The CV Factor is the gallons of water per minute passed through the valve with a 1 PSI pressure drop.

2 PIECE STAINLESS STEEL BALL VALVE

INVESTMENT CAST
LARGE PORT I.P.S.

ISO-9002



MODEL
T-715

LEGEND MODEL T-715 ball valves are constructed of investment cast 316 stainless steel. They are designed for commercial and industrial use on a wide range of fluid handling applications. The stem is bottom loaded, blow-out proof design. The seats are 15% glass fiber reinforced Teflon. The handle comes standard with a latch-lock design. Also equipped with tapped mounting pad for actuators (1/4"-1": UNC 3/16 -24 and 1 1/4"-2": UNC 1/4-20)

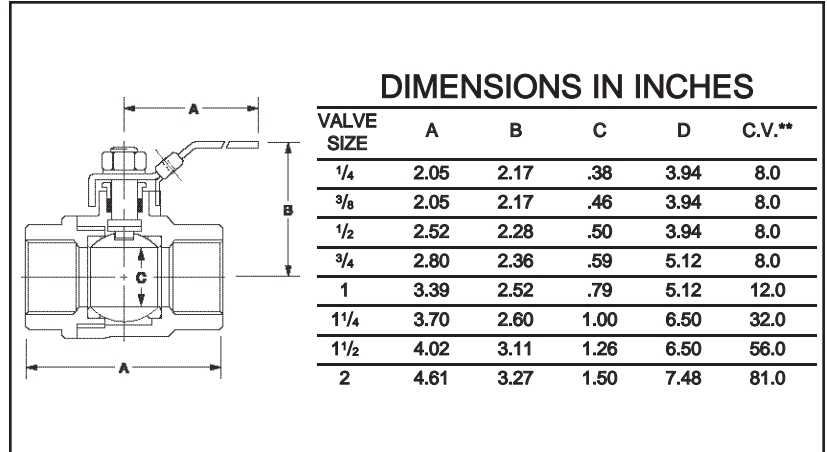
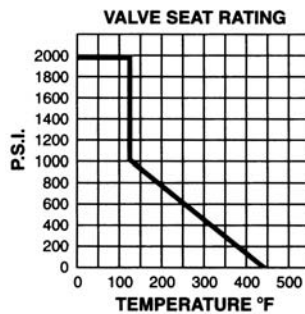
CONFORMS TO FEDERAL SPECIFICATION WW-V-35C TYPE II
COMPOSITION: SS, STYLE 3 AND MSS SP-110.

MATERIAL SPECIFICATION	
PART	MATERIAL
HANDLE NUT	304 SS
HANDLE	304 SS
PACKING NUT	304 SS
STEM PACKING	TEFLON*
THRUST WASHER	TEFLON*
SEATS	15% GLASS FIBER REINFORCED TEFLON*
STEM	316 SS
BALL	316 SS
BODY	316 SS
END ADAPTER SEAL	TEFLON*
END ADAPTER	316 SS
LATCH-LOCK	304 SS

*DUPONT REG. T.M.

PRESSURE RATING
2000 W.O.G. NON-SHOCK

All sizes rated: 150 W.S.P.



**The CV Factor is the gallons of water per minute passed through the valve with a 1 PSI pressure drop.

1 PIECE STAINLESS STEEL BALL VALVE

INVESTMENT CAST
CONVENTIONAL PORT I.P.S.

ISO-9002



MODEL
T-710

LEGEND MODEL T-710 ball valves are constructed of investment cast 316 stainless steel. They are designed for industrial use on a wide range of fluid handling applications. They are an excellent competitive alternative where port size is not critical. The latch-lock handle accessory is standard. The stem is bottom loaded, blowout proof design.

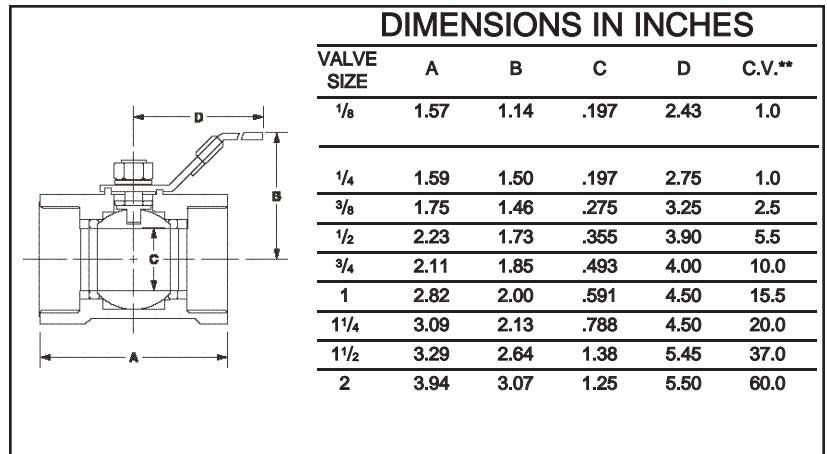
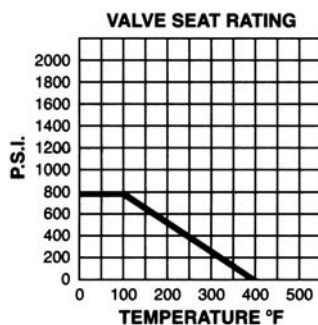
CONFORMS TO FEDERAL SPECIFICATION WW-V-35C, TYPE II
COMPOSITION: SS, STYLE 3 AND MSS SP-110.

MATERIAL SPECIFICATION	
PART	MATERIAL
HANDLE NUT	304 SS
HANDLE	304 SS
PACKING GLAND	304 SS
STEM PACKING	TEFLON*
THRUST WASHER	TEFLON*
SEATS	TEFLON*
STEM	316 SS
BALL	316 SS
BODY	316 SS
SEAT RETAINER	316 SS
LATCH LOCK	304 SS

*DUPONT REG. T.M.

PRESSURE RATING
800 W.O.G. NON-SHOCK

All sizes rated: 150 W.S.P.



**The CV Factor is the gallons of water per minute passed through the valve with a 1 PSI pressure drop.

BALL VALVE GAUGE COCKS

STAINLESS STEEL
I.P.S.

ISO-9002



MODEL
T-710T



MODEL
T-710MxF-T

LEGEND MODELS T-710T and T-710MxF-T ball valves are designed to replace the traditional plug valve design. They are constructed of 316 stainless steel and their T-handles do not obscure the gauge face. They have the following advantages over the plug design:

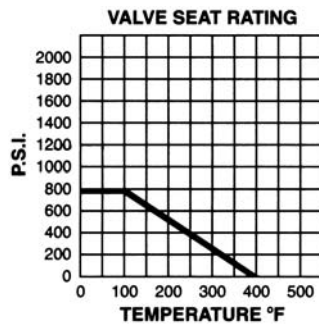
- 800 WOG pressure rating
- Always easily hand operable
- No bottom nut to tighten
- Seats and packing instead of grease creating the seal
- The valve cannot be blown-out

MATERIAL SPECIFICATION	
PART	MATERIAL
HANDLE NUT	304 SS
HANDLE	304 SS
PACKING GLAND	304 SS
STEM PACKING	TEFLON*
THRUST WASHER	TEFLON*
SEATS	TEFLON*
STEM	316 SS
BALL	316 SS
BODY	316 SS
SEAT RETAINER	316 SS

*DUPONT REG. T.M.

PRESSURE RATING
800 W.O.G. NON-SHOCK

All sizes rated: 150 W.S.P.



DIMENSIONS IN INCHES					
VALVE SIZE	A	B	C	D	C.V.**
1/4	1.64	1.19	.20	0.97	1.0
1/4	1.59	1.19	.197	0.97	1.0

**The CV Factor is the gallons of water per minute passed through the valve with a 1 PSI pressure drop.

2 PIECE CARBON STEEL BALL VALVE

INVESTMENT CAST
LARGE PORT I.P.S.

ISO-9002



MODEL
T-725

LEGEND MODEL T-725 ball valves are constructed of investment cast carbon steel. They are designed for commercial and industrial use on a wide range of fluid handling applications. The stem is bottom loaded, blowout proof design. The seats are 15% glass fiber reinforced Teflon. The handle comes standard with a latch-lock design. Also equipped with tapped mounting pad for actuators (1/4"-1": UNC 3/16 -24 and 1 1/4"-2": UNC 1/4-20)

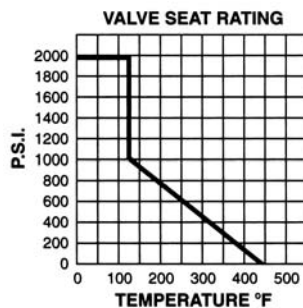
CONFORMS TO FEDERAL SPECIFICATION WW-V-35C, TYPE II
COMPOSITION: CS, STYLE 3 AND MSS SP-110.

MATERIAL SPECIFICATION	
PART	MATERIAL
HANDLE NUT	304 SS
HANDLE	304 SS
PACKING NUT	304 SS
STEM PACKING	TEFLON*
THRUST WASHER	TEFLON*
SEATS	15% GLASS FIBER REINFORCED TEFLON*
STEM	316 SS
BALL	316 SS
BODY	CARBON STEEL
END ADAPTER SEAL	TEFLON*
END ADAPTER	CARBON STEEL
LATCH LOCK	304 SS

*DUPONT REG. T.M.

PRESSURE RATING
2000 W.O.G. NON-SHOCK

All sizes rated: 150 W.S.P.



DIMENSIONS IN INCHES					
VALVE SIZE	A	B	C	D	C.V.**
1/4	2.05	2.17	.38	3.94	8.0
3/8	2.05	2.17	.46	3.94	8.0
1/2	2.52	2.28	.50	3.94	8.0
3/4	2.80	2.36	.59	5.12	8.0
1	3.39	2.52	.79	5.12	12.0
1 1/4	3.70	2.60	1.00	6.50	32.0
1 1/2	4.02	3.11	1.26	6.50	56.0
2	4.61	3.27	1.50	7.48	81.0

**The CV Factor is the gallons of water per minute passed through the valve with a 1 PSI pressure drop.



**MODEL
T-720**

LEGEND MODEL T-720 ball valves are constructed of high tensile strength carbon steel with a stainless steel ball and stem. They are designed for commercial and industrial use on a wide range of fluid handling applications. The stem is bottom loaded, blowout proof design. They are an excellent competitive alternative where port size is not critical.

**CONFORMS TO FEDERAL SPECIFICATION WW-V-35C, TYPE II
COMPOSITION: CS, STYLE 3 AND MSS SP-110.**

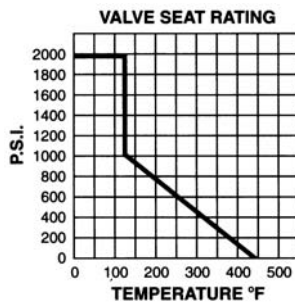
MATERIAL SPECIFICATION	
PART	MATERIAL
HANDLE NUT	304 SS
HANDLE	304 SS
PACKING GLAND	304 SS
GLAND NUT	304 SS
WASHER	304 SS
STEM PACKING	TEFLON*
THRUST WASHER	TEFLON*
CAP SEAT	TEFLON*
STEM	304 SS
BALL	304 SS
BALL SEAT	TEFLON*
BODY	CARBON STEEL
SEAT RETAINER	CARBON STEEL

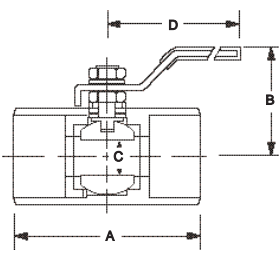
*DUPONT REG. T.M.

PRESSURE RATING

1/4 1 2000 W.O.G. NON-SHOCK
1 1/4 2 1500 W.O.G. NON-SHOCK

All sizes rated: 150 W.S.P.





DIMENSIONS IN INCHES					
VALVE SIZE	A	B	C	D	C.V.**
1/4	1.62	1.18	.20	2.36	1.0
3/8	1.85	1.18	.28	3.15	2.5
1/2	2.21	2.52	.35	3.55	5.5
3/4	2.56	2.60	.50	3.94	10.0
1	3.03	2.68	.59	4.33	15.5
1 1/4	3.55	2.80	.79	4.33	20.0
1 1/2	3.86	2.95	.98	5.12	56.0
2	4.33	3.15	1.26	5.12	81.0

**The CV Factor is the gallons of water per minute passed through the valve with a 1 PSI pressure drop.

BLUE TOP GAS BALL VALVES

ISO-9002



**T-3000
LEVER HANDLE**



**T-3001
T-HANDLE**



**T-3002
SQUARE HEAD**

LEGEND MODEL T-3000 Blue Top gas ball valves are constructed of heavy duty forged brass and have a patented one-piece design. They are CSA certified for use with natural, manufactured, mixed, liquified petroleum and LP gas/air mixtures. This certification covers:

ANSI standard Z21.15 for use as a gas appliance connector valve (1/2 lb. system)

CSA 3-88 for use in house piping systems (2 lb. system).

UL listed 757X for fire protection service.

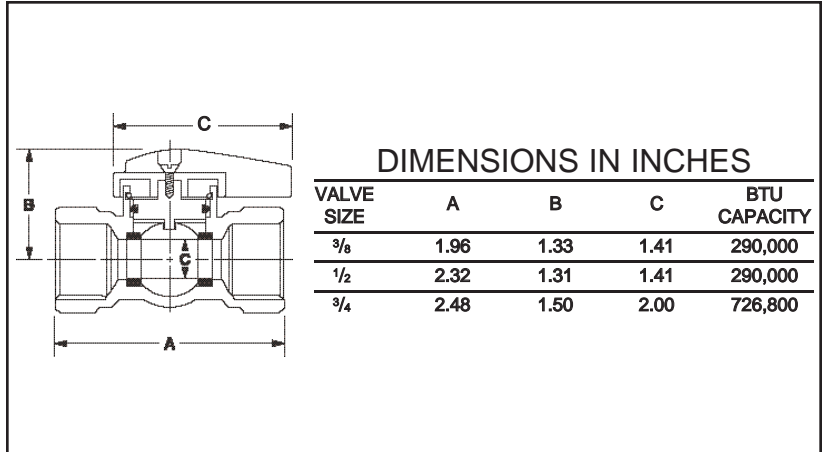
FOR A 1" THROUGH 3" CSA CERTIFIED GAS BALL VALVE USE LEGEND MODEL T-1001 BALL VALVES.



MATERIAL SPECIFICATION

PART	MATERIAL
HANDLE	ALUMINUM
STEM	FORGED BRASS
FIXING RING	PHOSPHOR BRONZE
O-RING	NITRILE RUBBER
2ND-SEAL	FIBER
BALL	CHROME PLATED BRASS
SEATS	NITRILE RUBBER
BODY	FORGED BRASS
WASHERS	BRASS
HANDLE SCREW	STEEL

PRESSURE RATING
175 W.O.G. NON-SHOCK



BLUE TOP WITH SIDE TAP

FORGED BRASS
I.P.S. AND FLARE

ISO-9002



**MODEL
T-3100**

LEGEND MODEL T-3100 Blue Top gas ball valve is the same construction as the T-3000 but is equipped with a 1/8" NPT side tap. A manometer can be attached to the side tap allowing line pressure to be tested at the valve eliminating the need for a test tee and the labor cost to install it.

ANSI standard Z21.15 for use as a gas appliance connector valve (1/2 lb. system)

CSA 3-88 for use in house piping systems (2 lb. system).

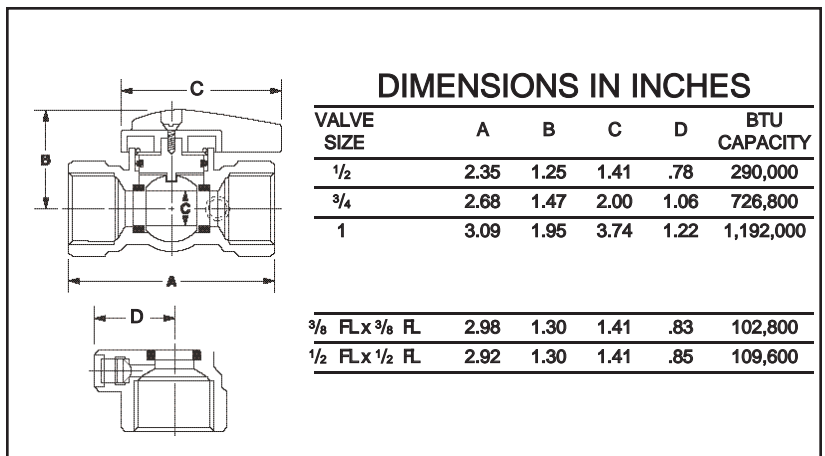
UL listed 757X for fire protection service.



MATERIAL SPECIFICATION

PART	MATERIAL
PLUG	FORGED BRASS
HANDLE	ALUMINUM
STEM	FORGED BRASS
FIXING RING	PHOSPHOR BRONZE
O-RING	NITRILE RUBBER
2ND-SEAL	FIBER
BALL	CHROME PLATED BRASS
SEATS	NITRILE RUBBER
BODY	FORGED BRASS
WASHERS	BRASS
HANDLE SCREW	STEEL

PRESSURE RATING
175 W.O.G. NON-SHOCK



FLARE x F.I.P. BLUE TOP

ISO-9002



DIMENSIONS IN INCHES

VALVE SIZE	A	B	C	D	BTU CAPACITY
3/8 FL x 1/2 FP	2.35	1.30	.394	1.41	88,900
1/2 FL x 1/2 FP	2.46	1.30	.394	1.41	260,000
1/2 FL x 3/4 FP	2.53	1.46	.591	2.01	243,600
5/8 (15/16-16)FL x 1/2 FP	2.81	1.46	.591	2.01	260,000
5/8 (7/8-14)FL x 3/4 FP	2.81	1.46	.591	2.01	237,346
5/8 (15/16-16)FL x 3/4 FP	2.81	1.46	.591	2.01	237,346
3/8 (9/16-24)FL x 1/2 FP	2.35	1.30	.394	1.41	88,900

ANGLE

3/8 FL x 1/2 FP	1.73	1.30	.394	1.41	88,900
5/8 (15/16-16)FL x 3/4 FP	2.02	1.42	.591	2.01	237,346



FLARE x M.I.P. BLUE TOP

ISO-9002



DIMENSIONS IN INCHES

VALVE SIZE	A	B	C	D	BTU CAPACITY
3/8 FL x 1/2 MP	2.42	1.30	.394	1.41	88,900
1/2 FL x 1/2 MP	2.53	1.30	.394	1.41	260,000



FLARE x FLARE BLUE TOP

ISO-9002



DIMENSIONS IN INCHES

VALVE SIZE	A	B	C	D	BTU CAPACITY
3/8 FL x 3/8 FL	2.69	1.30	.394	1.41	102,800
1/2 FL x 1/2 FL	2.62	1.30	.394	1.41	109,600
5/8 FL x 5/8 FL	3.03	1.46	.591	2.01	479,700



TEXAS PATTERN BLUE TOP

ISO-9002



DIMENSIONS IN INCHES

VALVE SIZE	A	B	C	D	BTU CAPACITY
1/2 x 1/8 BARB	2.96	1.34	.394	1.41	74,000
3/4 x 1/8 BARB	3.09	1.34	.394	2.01	74,000

